

## TORNADO

Extraction system for milling operations

Laakerointi  
kiinnityksessä

Teräsrunko

### EFFECTIVE REMOVAL FROM CUTTING CHIPS

FREZITE developed an efficient cutting chips suction system for machining operations on CNC machines. This innovative vacuum system promotes fast removal of cutting chips resultant from milling, profiling and nesting operations. The use of this system ensures superior cleaning and increase the air quality, promoting health in workplace. It ensures excellent surface finishes, providing increased tool life.



Tiivisterengas  
estää pölyn nou-  
sun istukkaan!

### Features

- Steel body, for a greater equipment life.
- Body with high strength coating to prevent corrosion and reduce friction between the cutting chips and TORNADO body, improving the chip flow.
- Safety seal ring to prevent the dust entry into the collet and collet nut.
- Easy to install with used as a standard collet nut.
- Possibility to adjust for different cutting heights.

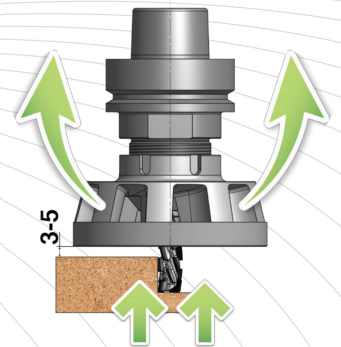
### Applications

Milling, profiling and nesting operations on CNC machines for cutting of chipboard – coated and uncoated – MDF, Corian®, OSB (Oriented Strand Board) and HPL.

Machine Interface	HSK 63F / ISO 30 / SK 30
Tool Interface	ER32 (3 – 20 mm)
n	24,000 RPM max. for HSK 63F 20,000 RPM max. for ISO 30 and SK 30
Balancing	G2.5 (25,000 RPM)



Working clearance between Tornado and working piece must be adjusted from 3 to 5 mm.



### Advantages

- Best performance.
- Better surface finish.
- Lower cutting chips accumulation in the cutting area.
- Less tool wear, increasing the working life of the tool.
- Reduce the temperature in tool and cutting area.
- Prevents the dust entry into the collet and collet nut.
- Less equipment wear.
- Easy to use: installation and removal as a collet nut.
- Reduces cleaning time and operating costs.
- Work environment cleaner and healthier.